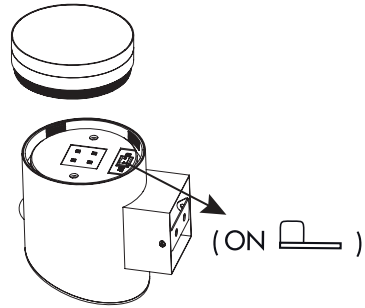


Art No:479-98

## FIRST USE

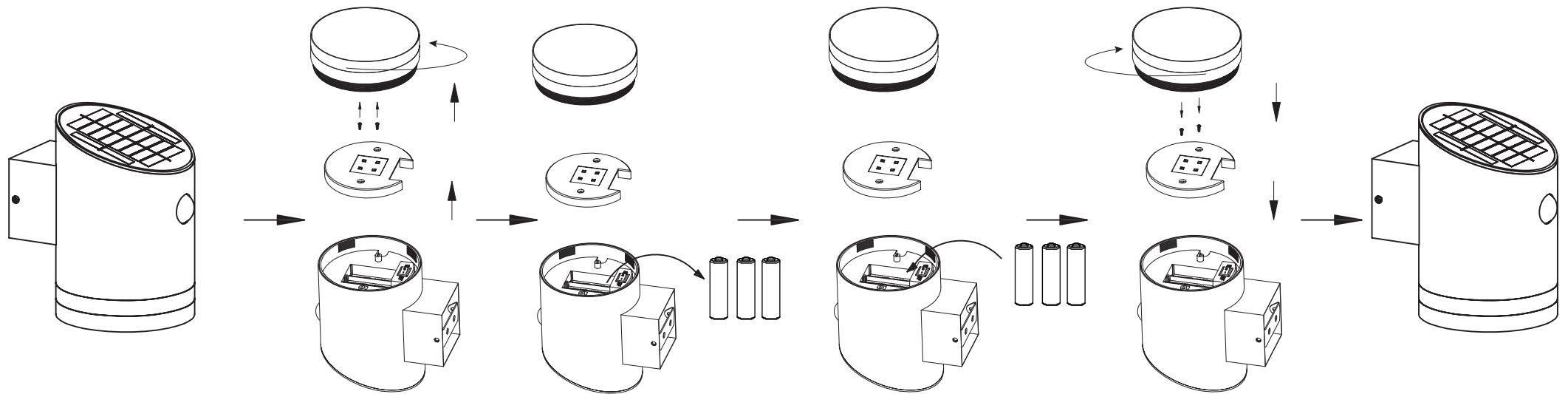
STEP 1





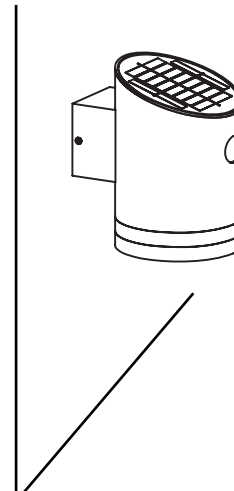
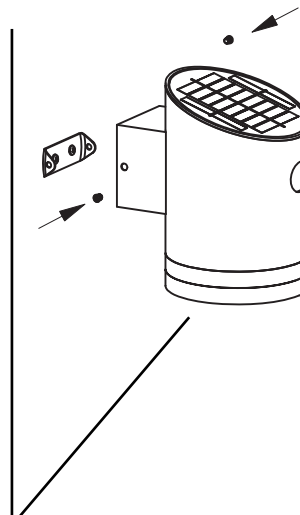
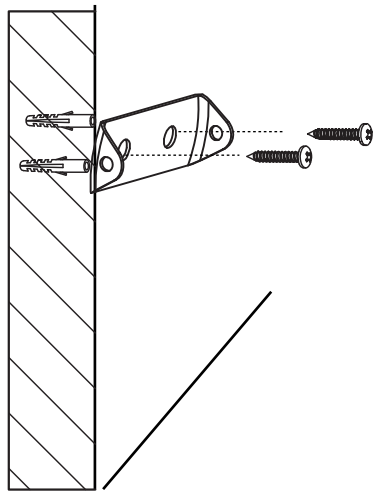
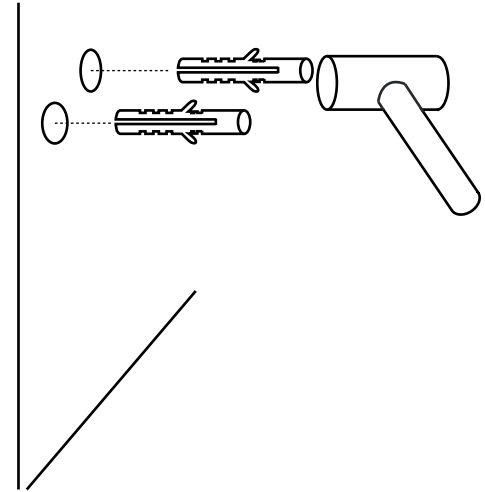
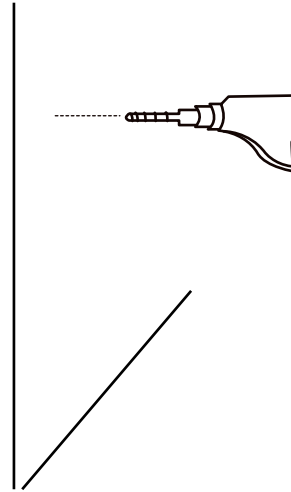
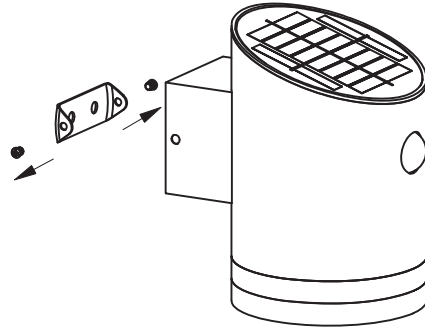
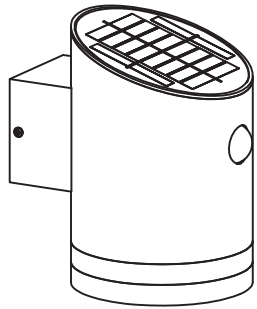
**STAR**  
TRADING

STAR STREET 1  
512 50 SVENLJUNGA  
SWEDEN

## BATTERY REPLACEMENT



 X2  X2



**STAR**  
TRADING

STAR STREET 1  
512 50 SVENLJUNGA  
SWEDEN